

Fast. Light. Flexible. Layher **STAR** Frame

Allround® Scaffolding



Layher® 

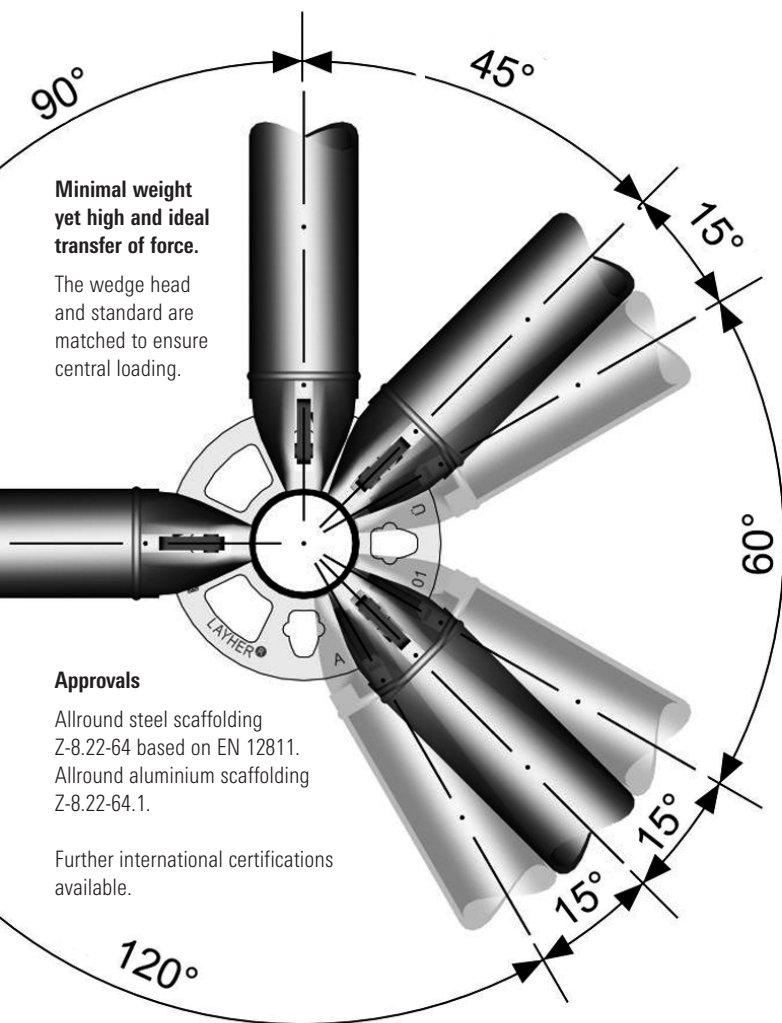
More Possibilities. The Scaffolding System.

A system without limits.

Layher Allround® Scaffolding – the "Original".

Ingenious technology for efficient working.

The main use of the sturdy and inexpensive Allround equipment in (hot-dip galvanized) steel is in construction and industry, especially for ambitious projects.



Minimal weight yet high and ideal transfer of force.

The wedge head and standard are matched to ensure central loading.

Approvals

Allround steel scaffolding
Z-8.22-64 based on EN 12811.
Allround aluminium scaffolding
Z-8.22-64.1.

Further international certifications available.

Allround scaffolding uses a simple, unique and bolt-free connection technology.

Sliding the wedge head over the rosette and inserting the wedge into the opening immediately **secures the component**. There is still **sufficient play** to secure the other end of the ledger.

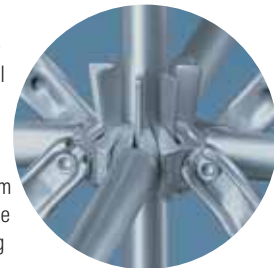


A hammer blow to the wedge transforms the loose connection into a superbly strong structurally rigid one. The face of the wedge head is now precisely positioned against the standard.



The result of superior design:

Up to 8 connections can be made in the structurally ideal Allround connector on one level and at various angles. Connections are provided in standard dimensions of 50 cm on all Allround standards. The flat rosette prevents clogging with dirt of whatever type.



Ingenious connection technology:

The four small punched-out openings in the rosette **auto-matically centre the ledger at right angles** – the four large openings allow the angle of alignment to be selected.



Allround scaffolding

Your benefit

- ▶ Save time during assembly and dismantling thanks to bolt-free connection technology
- ▶ Safe and simple one-man assembly
- ▶ No loose parts
- ▶ Very little material required
- ▶ Maintenance free and always ready for use
- ▶ Low weight of individual parts
- ▶ Tried and proven range of parts
- ▶ Economic and versatile design that convinces

Even more possibilities. Layher STAR Frame – the “expansion”.

STAR Frames – even more possibilities in Allround scaffolding.

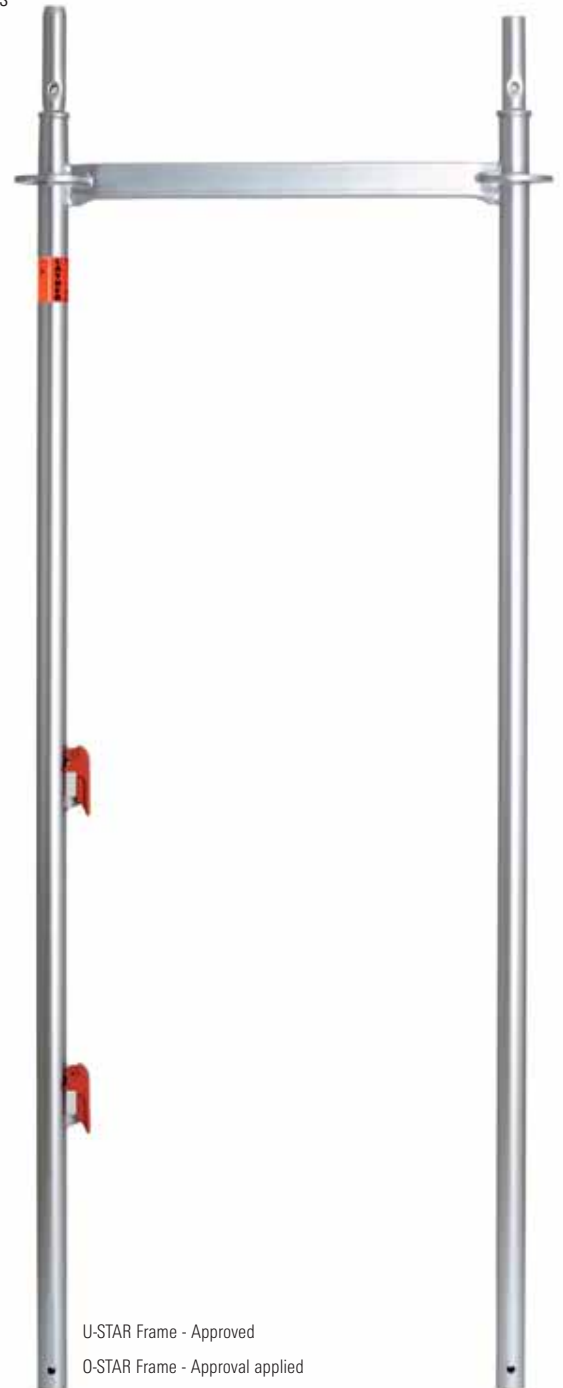
The new Layher STAR Frame, in U and O versions, has been developed on the basis of Allround. With just two additional parts: STAR Frame and STAR guard rails, you can build **facade scaffolding 24% faster than with Allround standards and ledgers**.



Perfect **compatibility** with the **Allround system** and with other Layher product groups.



Revolutionary: the new **guard rail attachment** – rapid assembly and dismantling **without tools** and increased safety thanks to it being clearly visible whether the red lever is closed or not.



U-STAR Frame - Approved

O-STAR Frame - Approval applied

STAR Frame

Your additional benefits

- ▶ Only two main expansion components needed for Allround
- ▶ Even lower weight
- ▶ Fast guard rail assembly and dismantling without tools.
- ▶ Decks not needed at every level

Fast.

Thanks to ingenious connection elements.



24%

24% time saving*

Allround scaffolding

STAR Frame



▶ **Small number of parts** – 1 STAR Frame replaces 2 Allround standards and 1 Allround ledger. That means faster assembly and fewer parts to be moved.

▶ **Guard rail assembly without tools** – Tool-free guard rail assembly ensures fast fitting and removal of the guard rails. The red bar shows even at a distance whether the guard rail has been secured or not.

▶ **10 mm shorter vertical**– The spigot on the inner vertical of the STAR Frame is 10 mm shorter than the outer spigot. This permits easy assembly of the STAR Frame by fitting it first on the outer spigot and then on the inner one.

* Ascertained by comparing assembly of an Allround facade scaffolding with a STAR facade scaffolding.



Position closed



Position opened

Light. Thanks to optimized design.



38%

38% weight saving*

- ▶ **Lightweight guard rail** made of dia. 33,7 mm tube, while the verticals of the **STAR Frame** are made of proven tube, 48,3 x 2,7 mm.
- ▶ The **low weight** of the **STAR Frame** ensures fatigue-free working and hence faster assembly and dismantling, particularly in scaffolding over large areas.
- ▶ **Low transport costs.** The case of overload is decreasing. Higher amounts of material can be transported.

Allround scaffolding

STAR Frame



*Applies for variant U. For variant O, weight saving is 42%.



Allround scaffolding weight

2 standards, 2,0 m	20,4 kg
1 U-ledger	3,1 kg
1 U-lift-off preventer	1,3 kg
2 O-ledgers	24,0 kg

total 48,8 kg



STAR Frame weight

1 U-STAR Frame	18,0 kg
1 STAR lift-off preventer	1,4 kg
2 STAR guard rails	11,0 kg

total 30,4 kg

Flexible. Thanks to enormous versatility.



100 %

100 % flexibility

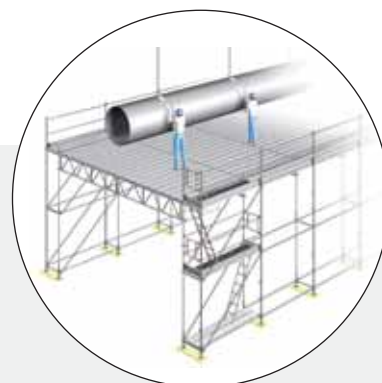


- ▶ **Open frame** – the frame, open underneath and without cross rung, permits fitting and removal of decks even if the scaffolding has already been erected. Decks can therefore – when it is not planned for the scaffolding to have decks on all levels – be moved around to keep pace with assembly progress.
- ▶ **Internal guard rails** – Internal guard rails can be connected to the slots on the inside of the frame standard using the swivelling guard rail levers, quickly and without tools.
- ▶ **Rosettes** in the upper part of the STAR Frame ensure compatibility with Allround and offer a wide range of connection possibilities.

Connection possibilities: O-ledgers horizontal-diagonal for stiffening, O-ledgers, brackets, lattice beams etc.



Adaptation to the ground using Allround



STAR with lattice beam as birdcage scaffolding

STAR Frame. Simply innovative.



Allround Scaffolding – a system for industrial and facade scaffolding

We're there for you. Wherever and whenever you need us.

Layher in Germany

Branches and delivery warehouses nationwide.

Layher International

Subsidiaries:

Argentina, Australia, Austria, Belgium, Brazil, Bulgaria, Chile, Colombia, France, Hungary, India, Italy, Lithuania, Netherlands, New Zealand, Norway, Poland, Peru, Russia, Serbia, Singapore, Spain, Sweden, Switzerland, United Kingdom, USA.

Representatives:

Croatia, Czech Republic, Denmark, Estonia, Finland, Hong Kong, Japan, Jordan, Kuwait, Latvija, Lebanon, Libya, Oman, Philippines, Romania, Saudi-Arabia, Serbia, Slovakia, Slovenia, South Africa, Ukraine, United Arab Emirates and many other countries.

Wilhelm Layher GmbH & Co. KG

Scaffolding Grandstands Ladders

Post Box 40
74361 Gueglingen-Eibensbach
Germany
Phone +49 71 35 70-0
Fax +49 71 35 70-372
E-mail export@layher.com
www.layher.com

The Layher Product Range

